

NR: Marketing_Bulletin 05-15_Product Launch FX
DATE: 30.01.2015
TO: All customers
FROM: Emerson Climate Technologies – **Alco Controls**

FX series Electronic Expansion Valve

Emerson Climate Technologies is pleased to announce the introduction of a new range Electronic Expansion Valves type: FX

Introduction

Improving system architecture and using electronics can significantly reduce the carbon footprint of an installation. Given the growing environmental concerns, the adoption of new technologies by the refrigeration industry accelerates. FX range has been designed mainly for commercial air conditioning and heat pumps.



Product description

The FX range consists of Bi-polar stepper motor driven electronic expansion valves with a wide capacity range.

Features

- Maximum working pressure 46 bar (FX9: 35 bar)
- Max. Operating Pressure Differential MOPD FX5: 40 bar, FX6-8: 35 bar, FX9: 28 bar
- Flexibility in configuration of outlet connection in 4 directions
- Available controller to drive FX valves: EXD-SH1/SH2, EC3-X32/X33 (from mid Jan.2015)
- High resolution and excellent repeatability
- Linear flow capacity
- Direct coupling of motor and valve for high reliability (no gear mechanism)
- Application: Air conditioning and heat pumps


Type	Part No.	R134a kW	R410A kW	R407C kW	R22 kW	Inlet connection ODF	Outlet connection ODF
FX5-U07	801336	40	60	54	52	7/8"	7/8"
FX6-I09	801337	90	136	123	116	1-1/8"	1-1/8"
FX6-M28	801338	90	136	123	116	28 mm	28 mm
FX6.5-I09	801339	145	220	200	190	1-1/8"	1-1/8"
FX6.5-M28	801340	145	220	200	190	28 mm	28 mm
FX7-U11	801341	300	450	400	390	1-3/8"	1-3/8"
FX7.5-U11		460	700	630	600	1-3/8"	1-3/8"
FX8-I13		730	1100	990	944	1-5/8"	1-5/8"
FX8-M42		730	1100	990	944	42 mm	42 mm
FX9-U17		1700	-	2310	2200	2-1/8"	2-1/8"

Nominal capacities are at +38°C condensing temperature and +4°C evaporating temperature

Timing:

FX7	FX5/6/6.5	FX9	FX7.5/8
July 2014		June 2015	

Accessories: Cable and connector assembly

Type	Part No.	Length	Connector type to valve	Connector type to driver board or controller	Illustration
EXV-M15	804 663	1.5 m	M12	Loose wires	
EXV-M30	804 664	3.0 m			
EXV-M60	804 665	6.0 m			

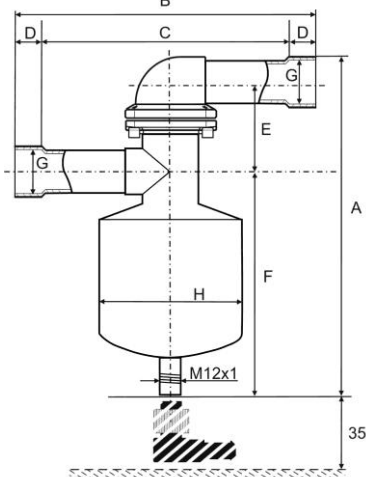
Available Documentation

- Technical bulletin
- Operating instruction
- Product presentation

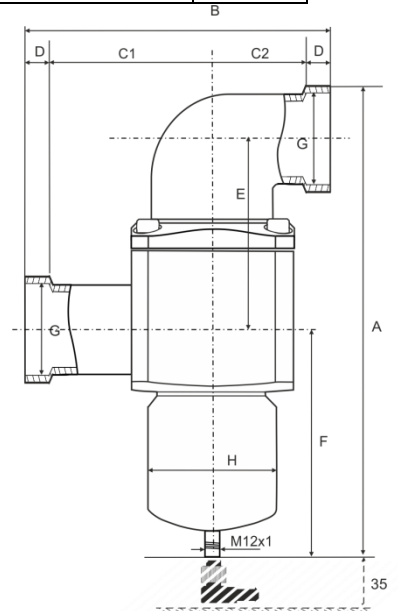
Dimensions [mm]

Type	Part. No	A	B	C	D	E	F	G	H
FX5-U07	801336	156	164	132	16	42	102	22mm / 7/8"	60
FX6-M28	801338	159	164	126	19	42	102	28mm	60
FX6-I9	801337	159	164	126	19	42	102	1-1/8"	60
FX6.5-M28	801340	159	164	126	19	42	102	28mm	60
FX6.5-I9	801339	159	164	126	19	42	102	1-1/8"	60
FX7-U11	801341	167	177	129	24	45	104	35mm / 1-3/8"	60
FX7.5-U11		191	177	129	24	67	104	35mm / 1-3/8"	60
FX8-M42		193	200	144	28	67	104	42mm	60
FX8-I13		193	200	144	28	67	104	1-5/8"	60
FX9-U17		271	192	C1: 86/ C2: 38	34	117	125	54mm / 2-1/8"	60

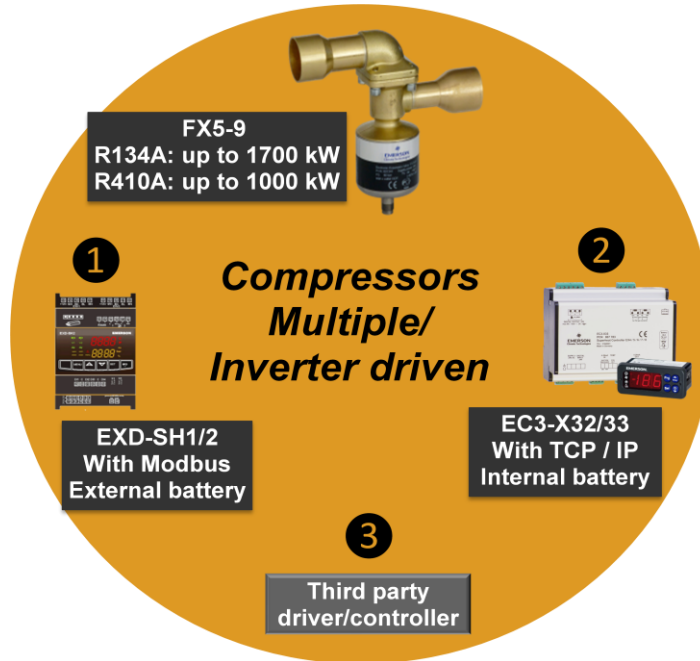
FX5;FX6; FX6.5: FX7; FX8



FX9



Solutions for Commercial Comfort



Emerson Solutions

Example: Chiller R410A, 969 kW (+50°C/+5°C)

